

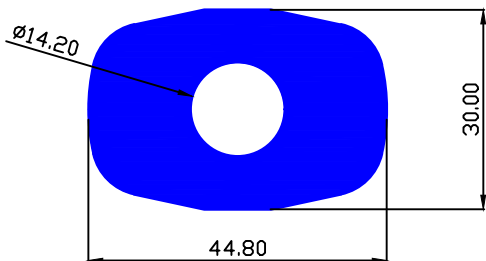


MAAN ALUMINIUM LTD.

ANTI VIBRATER

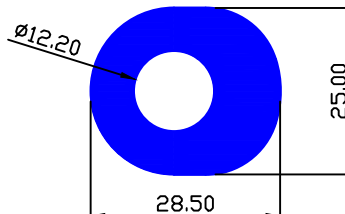
MAAN SEC.-90733

2.715 Kg/Mtr.



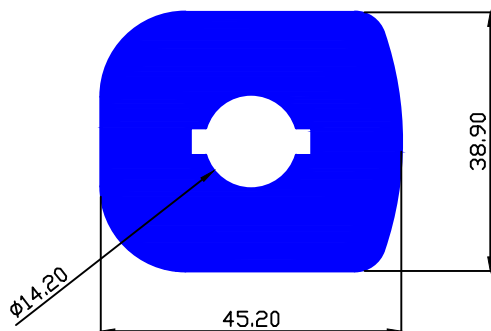
MAAN SEC.-90734

1.274 Kg/Mtr.



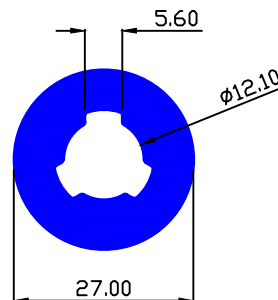
MAAN SEC.-90752

3.942 Kg/Mtr.



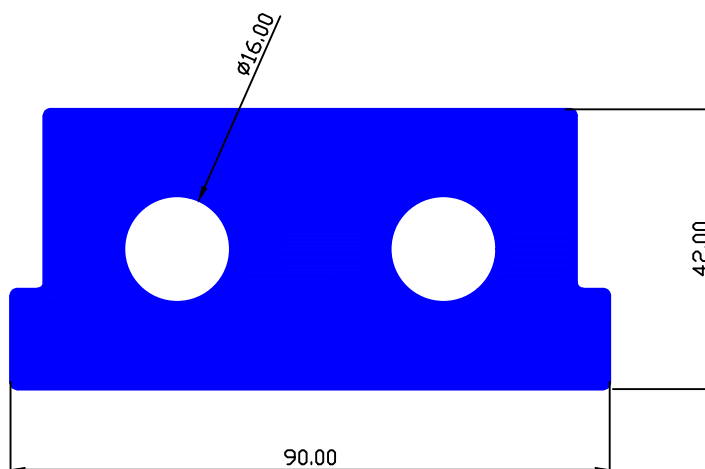
MAAN SEC.-90753

1.165 Kg/Mtr.



MAAN SEC.-90766

8.389 Kg/Mtr.



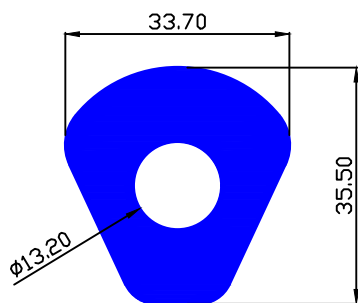


MAAN ALUMINIUM LTD.

ANTI VIBRATER

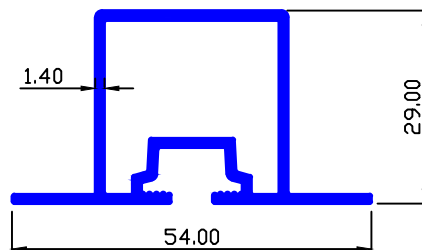
MAAN SEC.-90777

1.970 Kg/Mtr.



MAAN SEC.-90792

0.611 Kg/Mtr.



MAAN SEC.-90793

0.798 Kg/Mtr.

