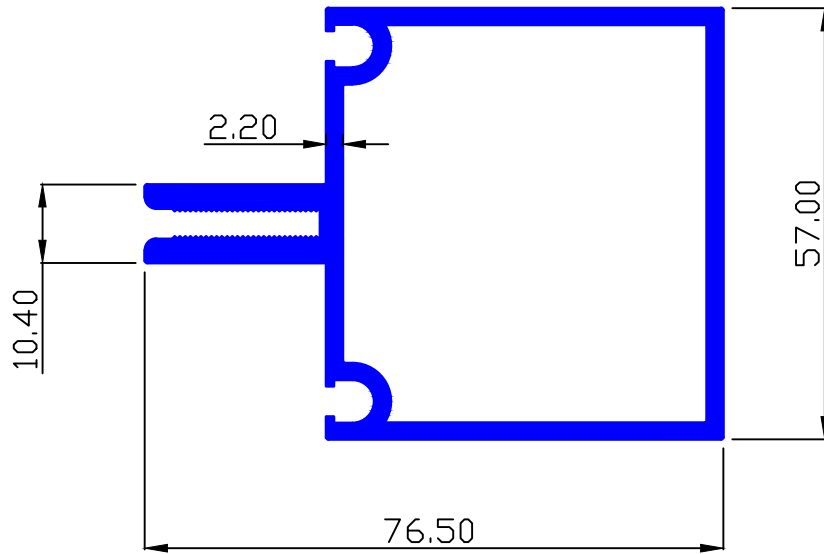




CURTAIN WALL

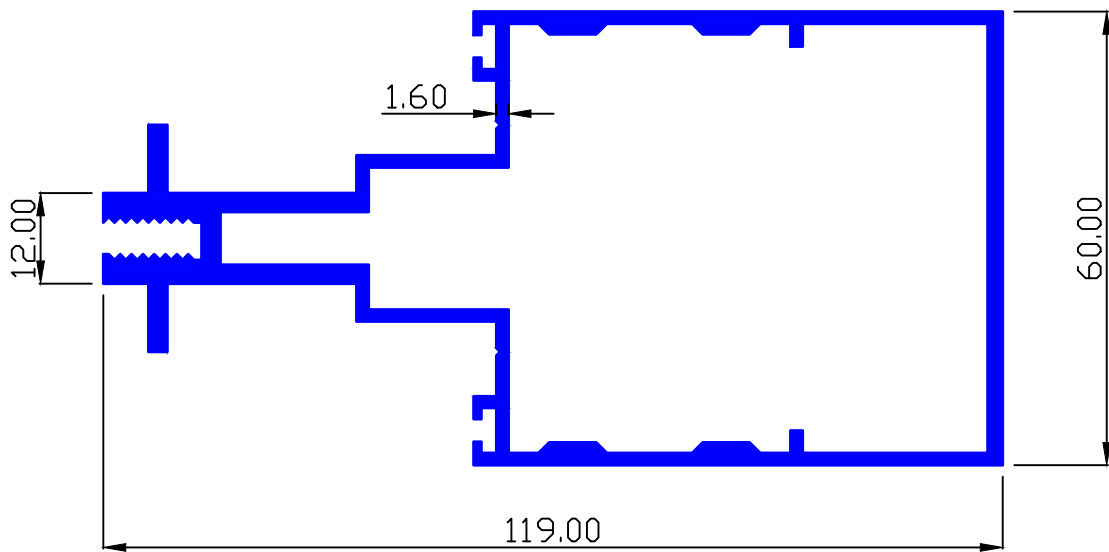
MAAN SEC.-6833

1.751 Kg/Mtr.



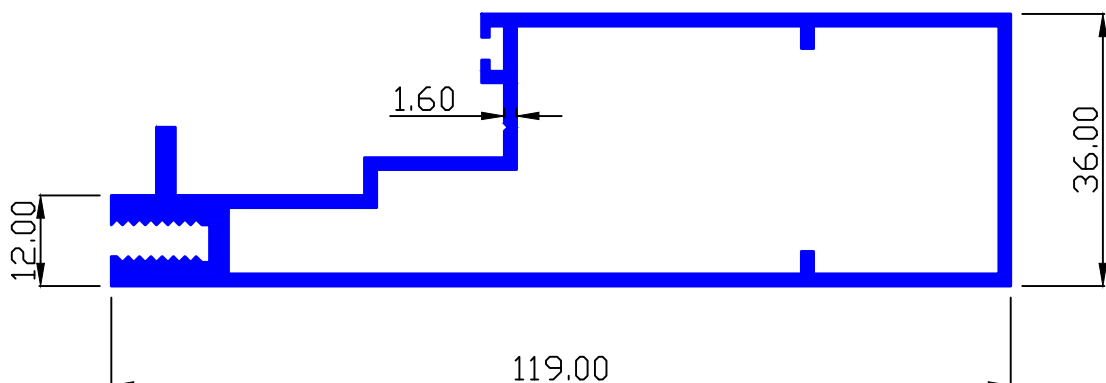
MAAN SEC.-7811

2.165 Kg/Mtr.



MAAN SEC.-7812

1.593 Kg/Mtr.

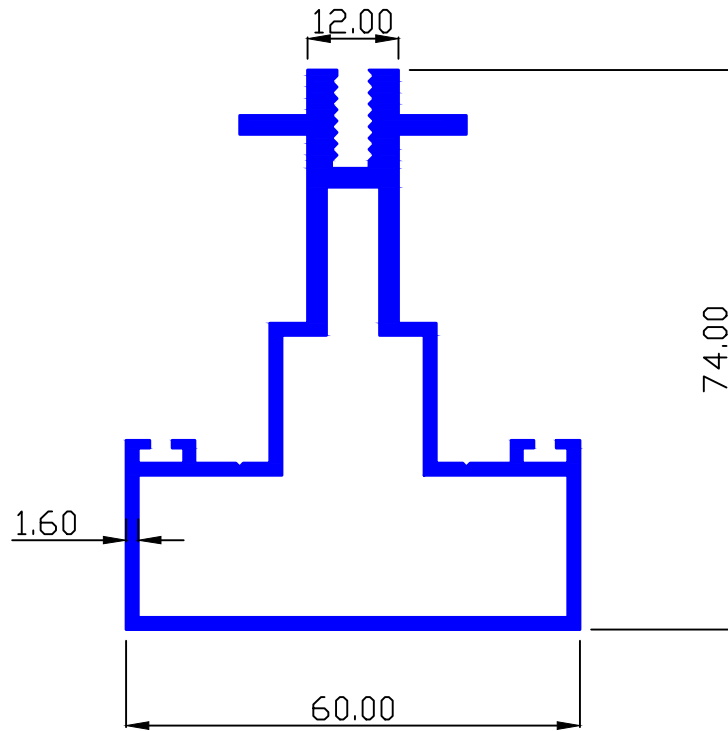




CURTAIN WALL

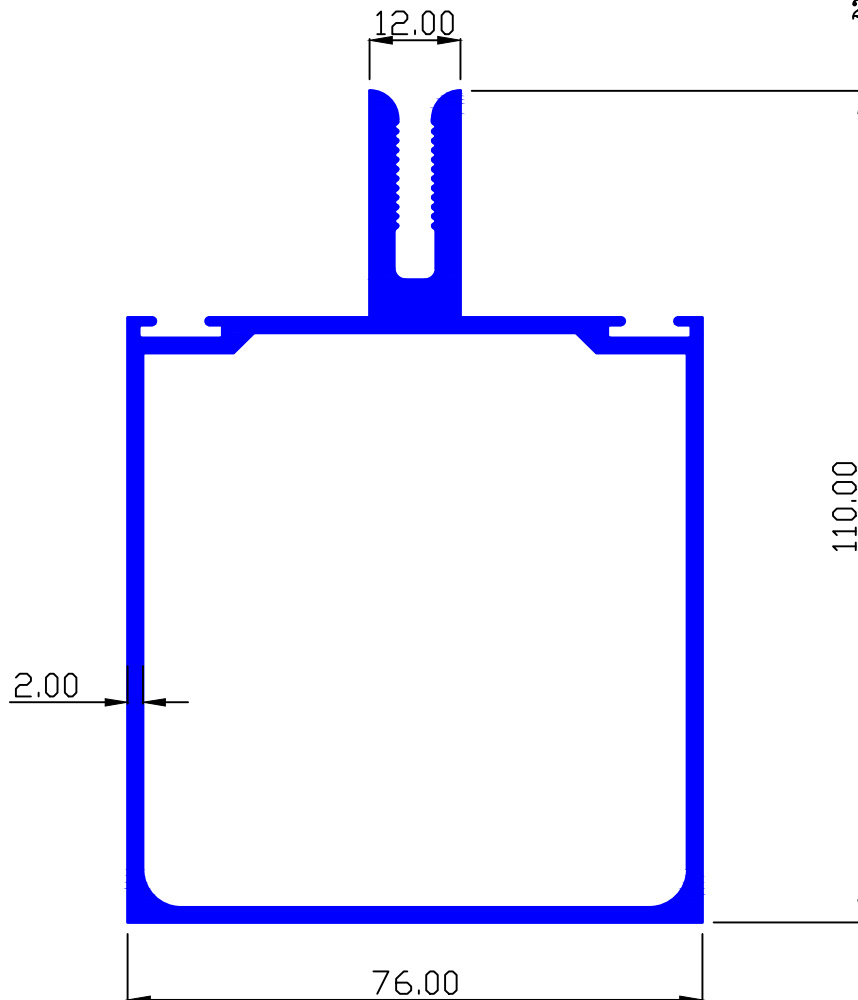
MAAN SEC.-7814

1.574 Kg/Mtr.



MAAN SEC.-7894

2.799 Kg/Mtr.

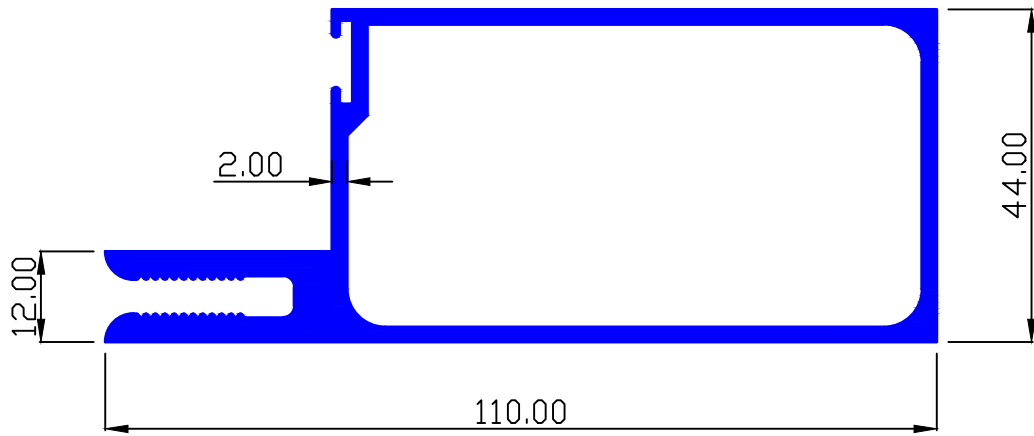




CURTAIN WALL

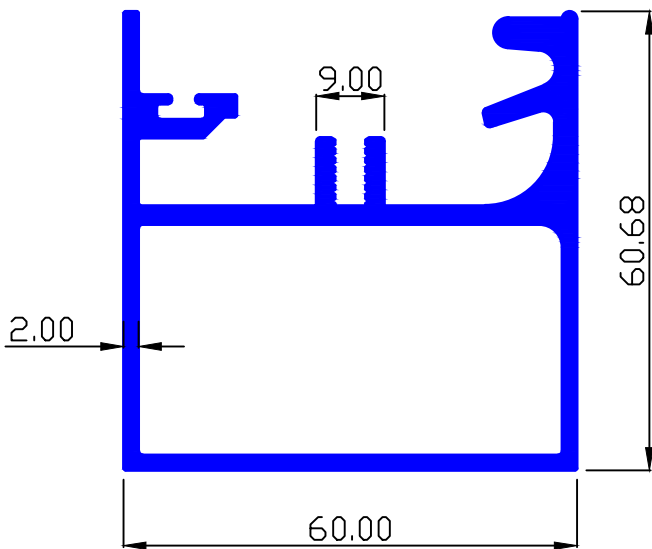
MAAN SEC.-7901

1.990 Kg/Mtr.



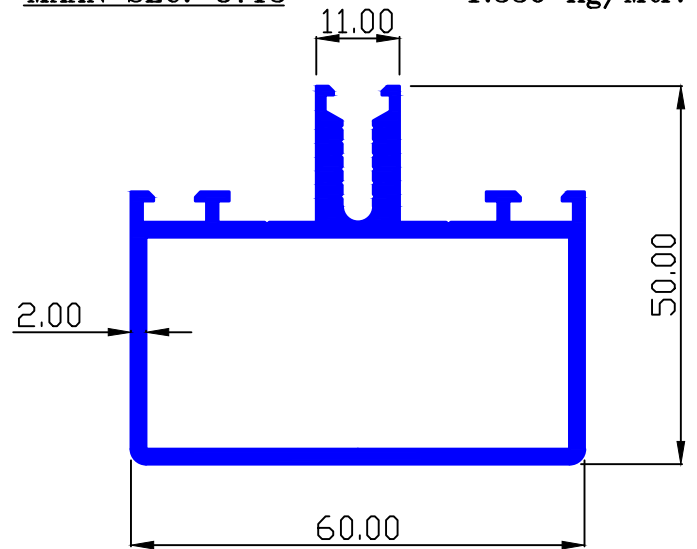
MAAN SEC.-8660

1.877 Kg/Mtr.



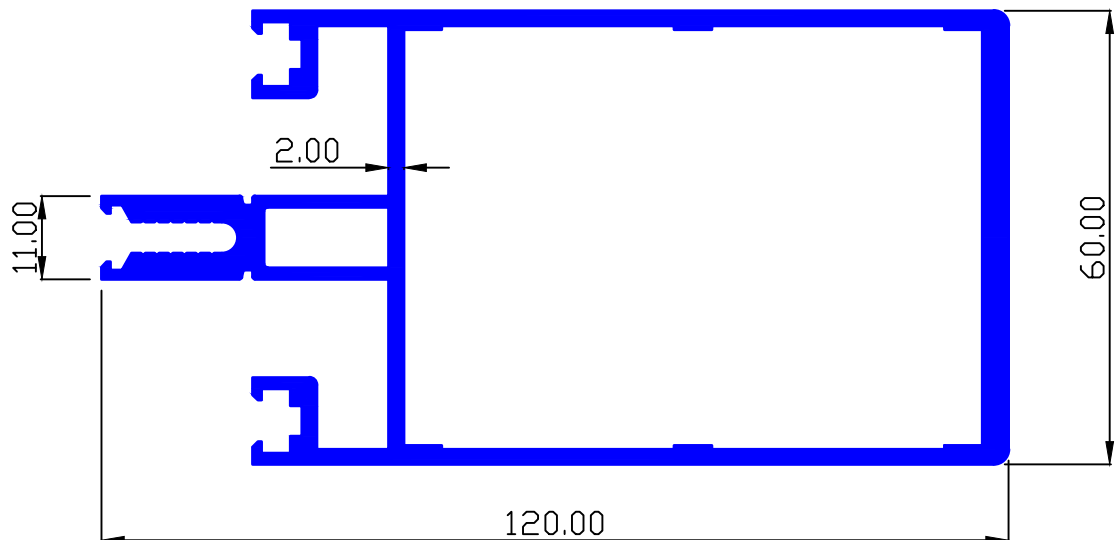
MAAN SEC.-8713

1.336 Kg/Mtr.



MAAN SEC.-8714

2.673 Kg/Mtr.

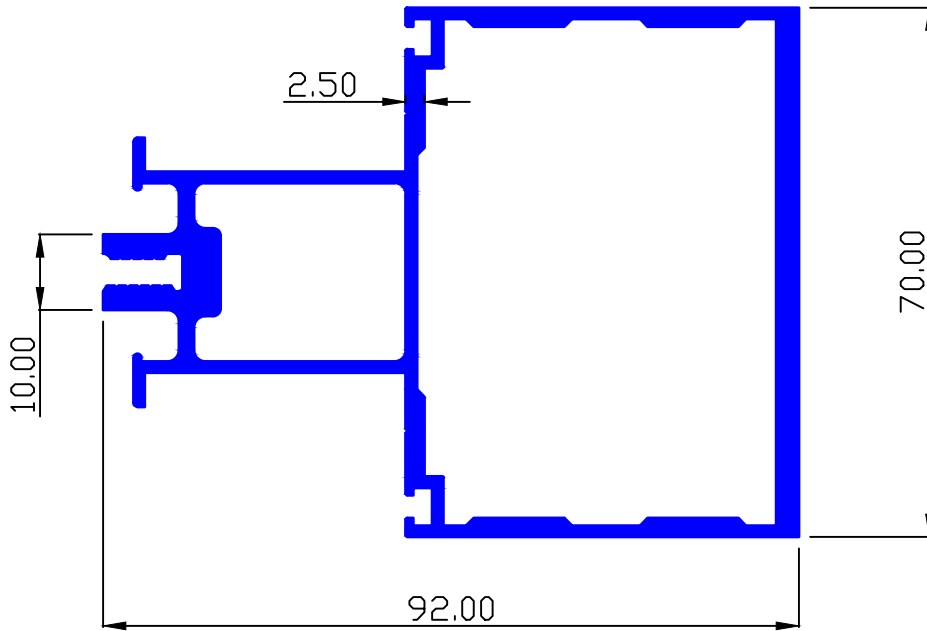




CURTAIN WALL

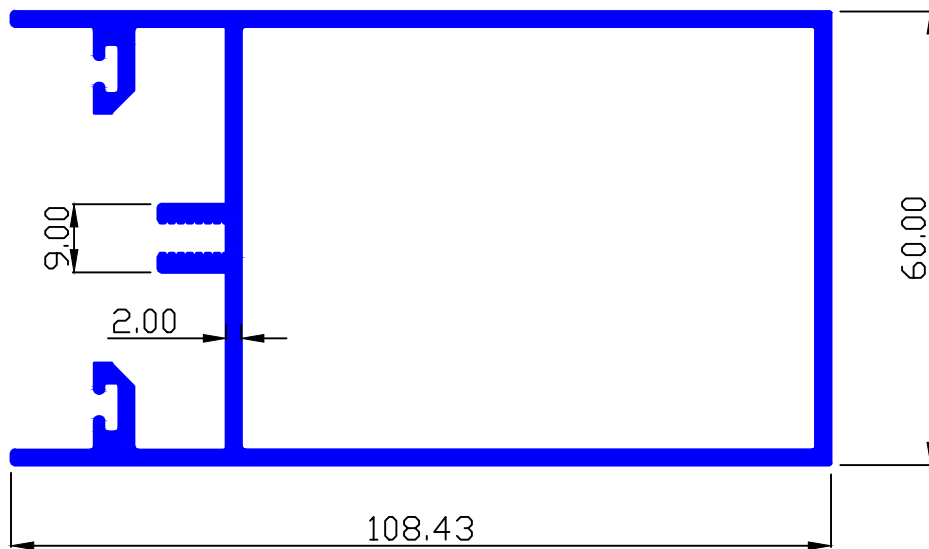
MAAN SEC.-8717

2.218 Kg/Mtr.



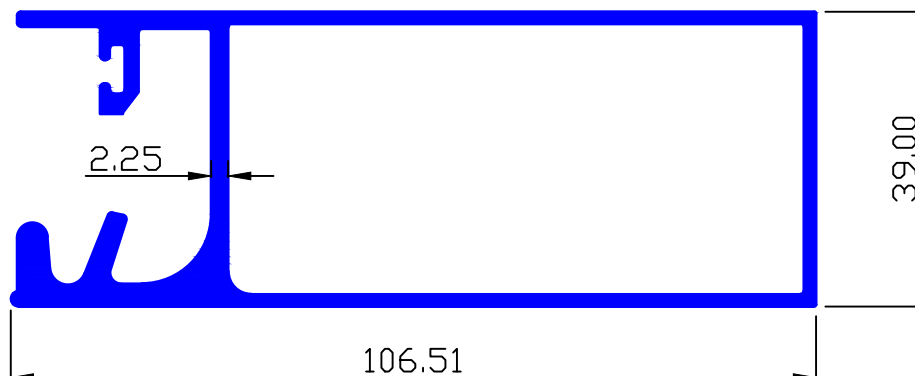
MAAN SEC.-8731

2.106 Kg/Mtr.



MAAN SEC.-8732

1.747 Kg/Mtr.

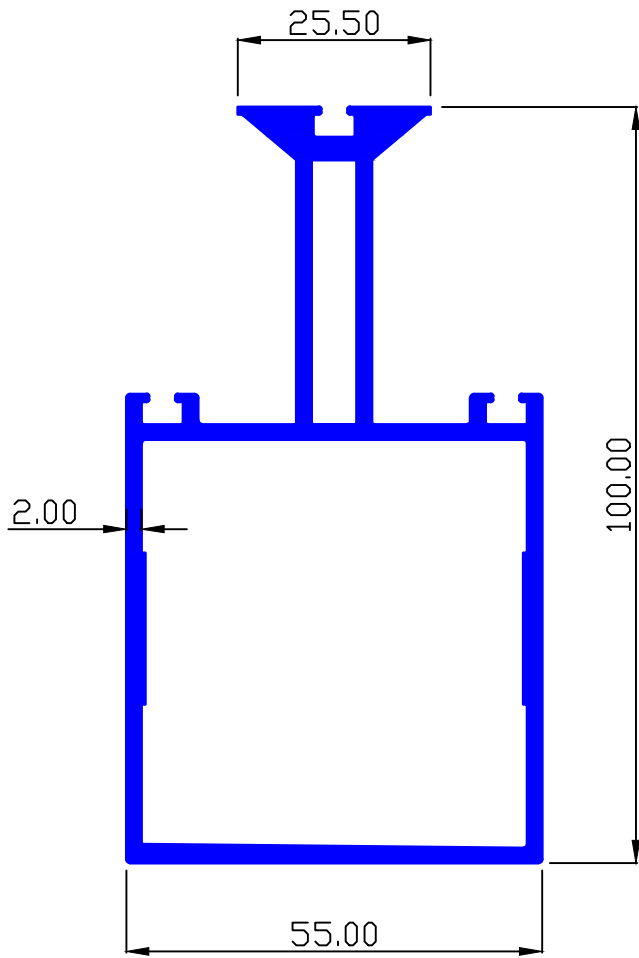




CURTAIN WALL

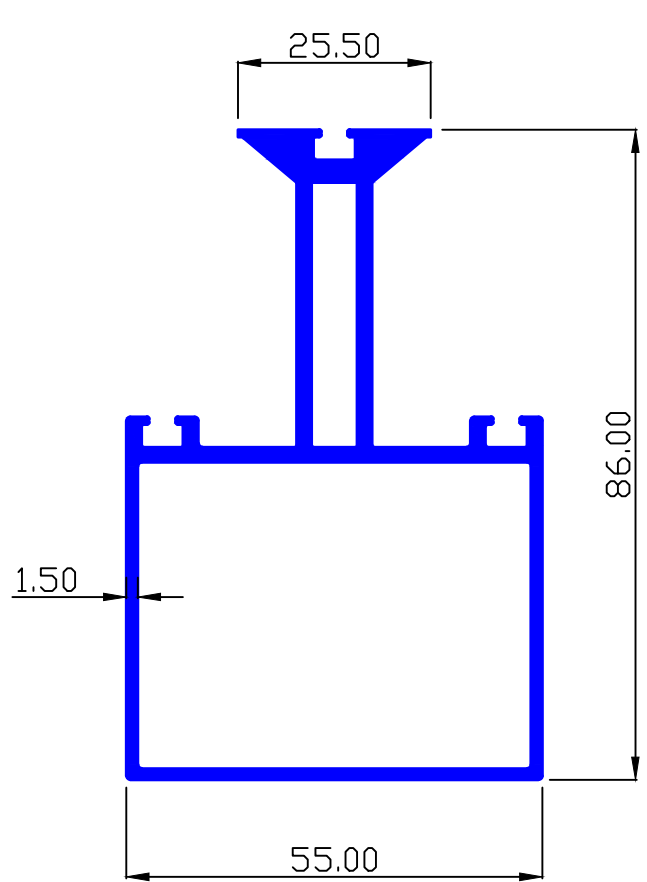
MAAN SEC.-8738

2.004 Kg/Mtr.



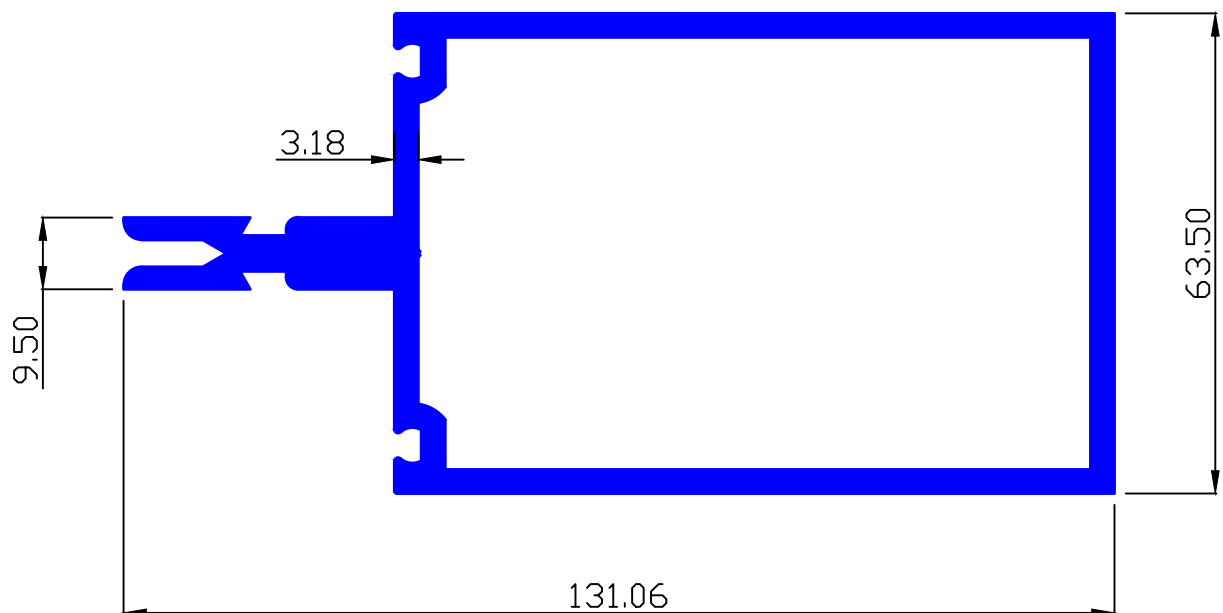
MAAN SEC.-8739

1.621 Kg/Mtr.



MAAN SEC.-9336

3.413 Kg/Mtr.

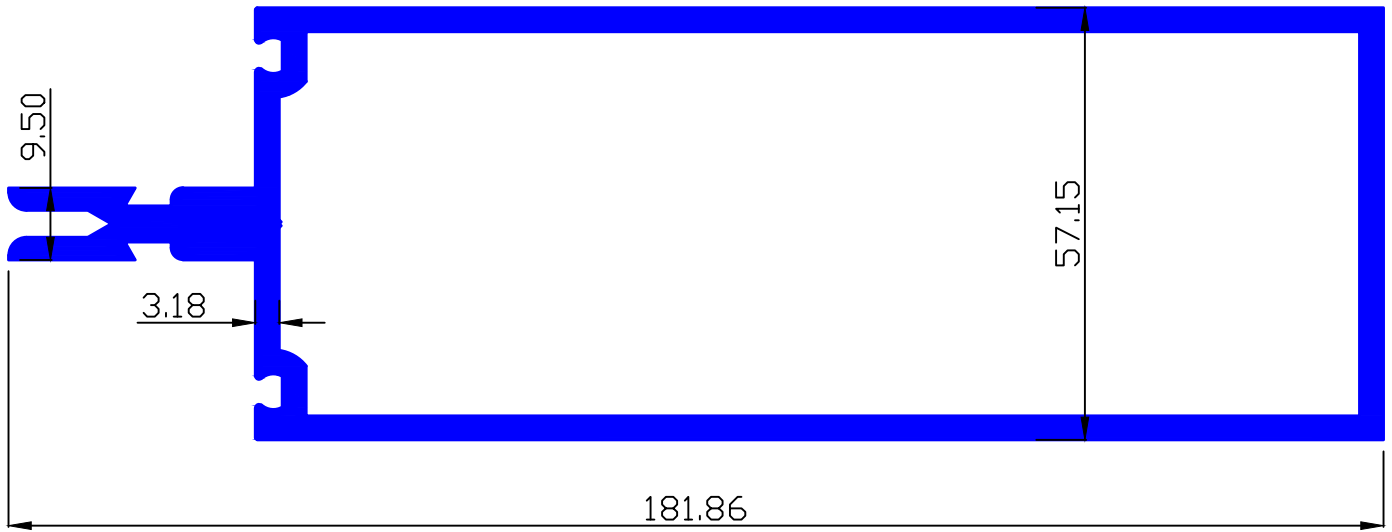




CURTAIN WALL

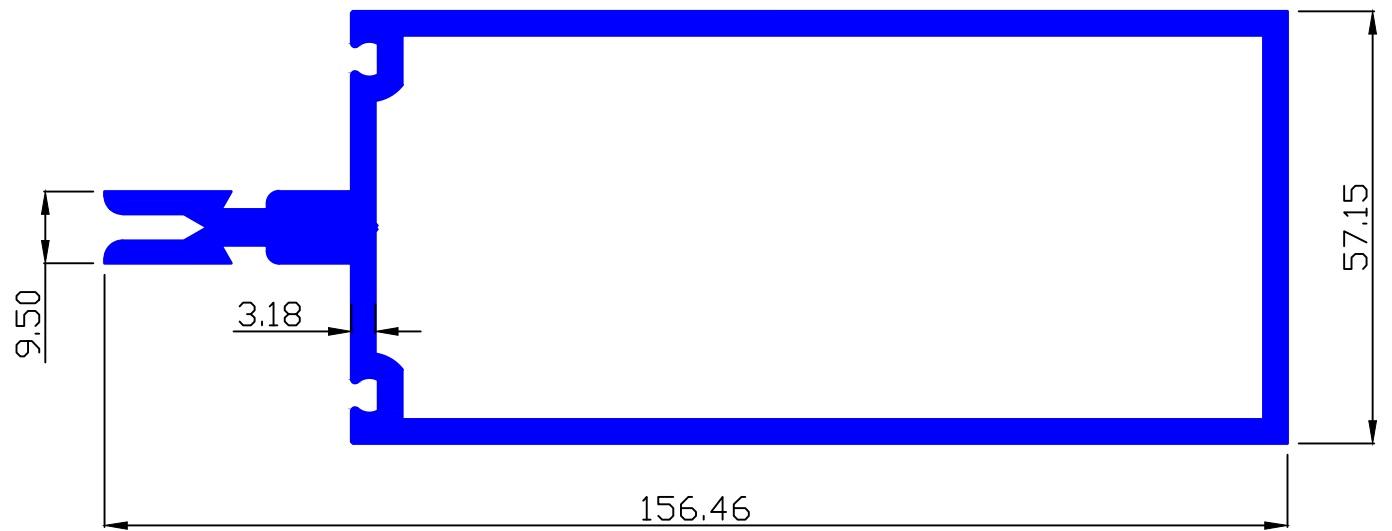
MAAN SEC.-9337

4.149 Kg/Mtr.



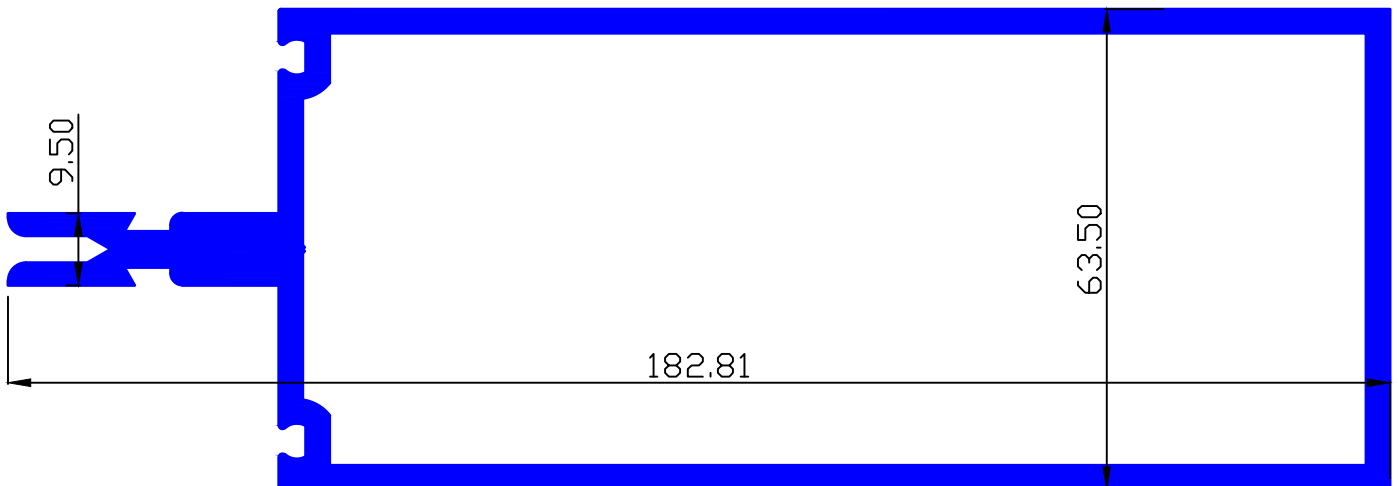
MAAN SEC.-9338

3.713 Kg/Mtr.



MAAN SEC.-9339

3.958 Kg/Mtr.

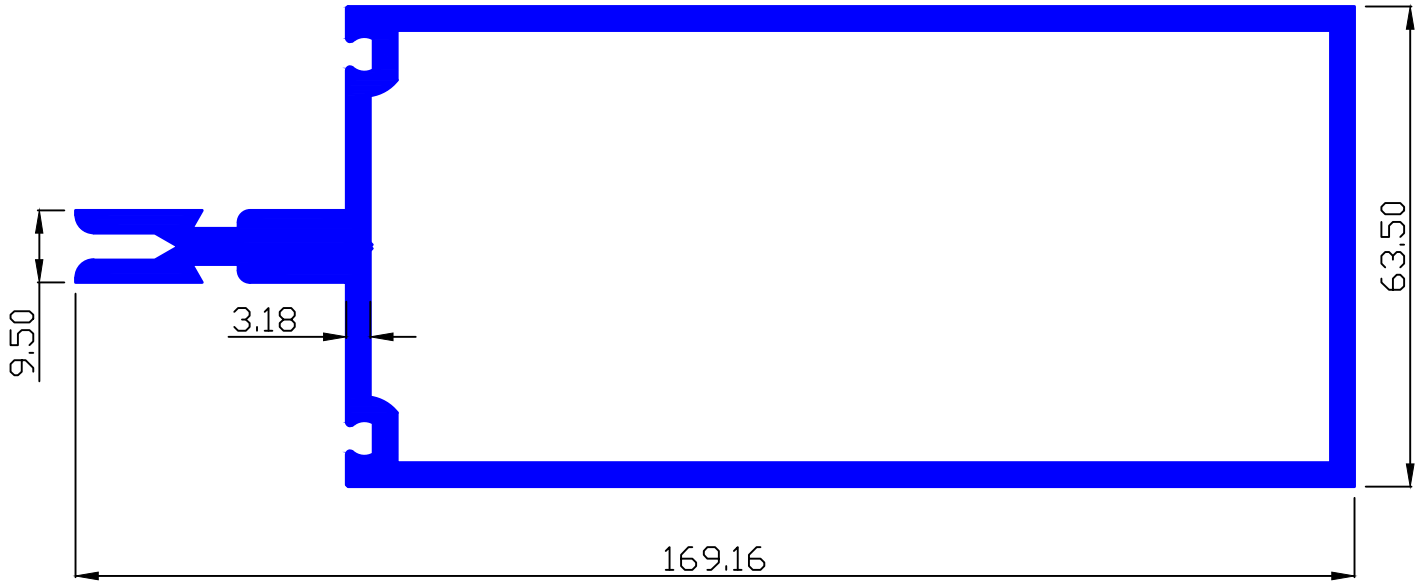




CURTAIN WALL

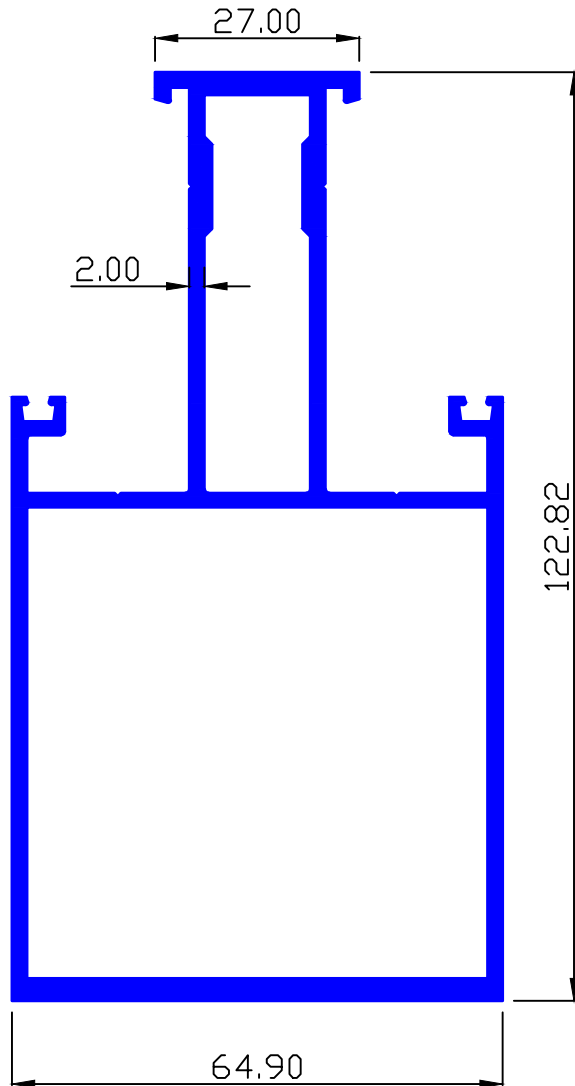
MAAN SEC.-9340

4.067 Kg/Mtr.



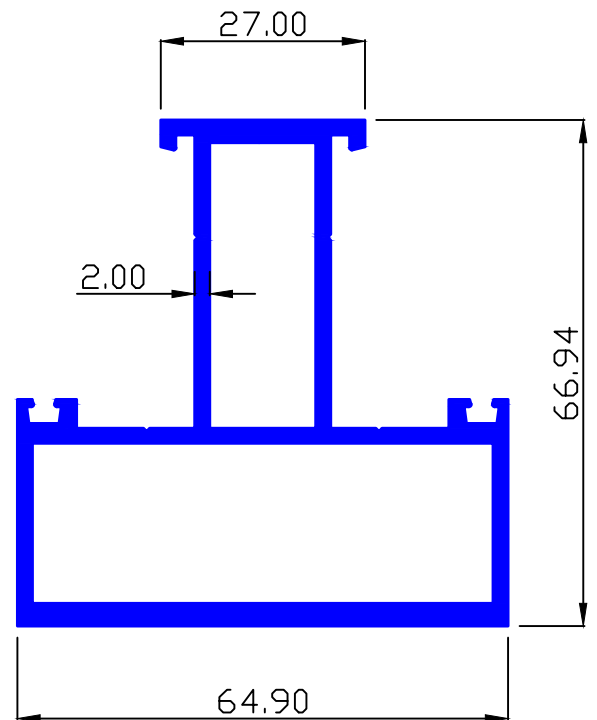
MAAN SEC.-89149

2.623 Kg/Mtr.



MAAN SEC.-89150

1.853 Kg/Mtr.

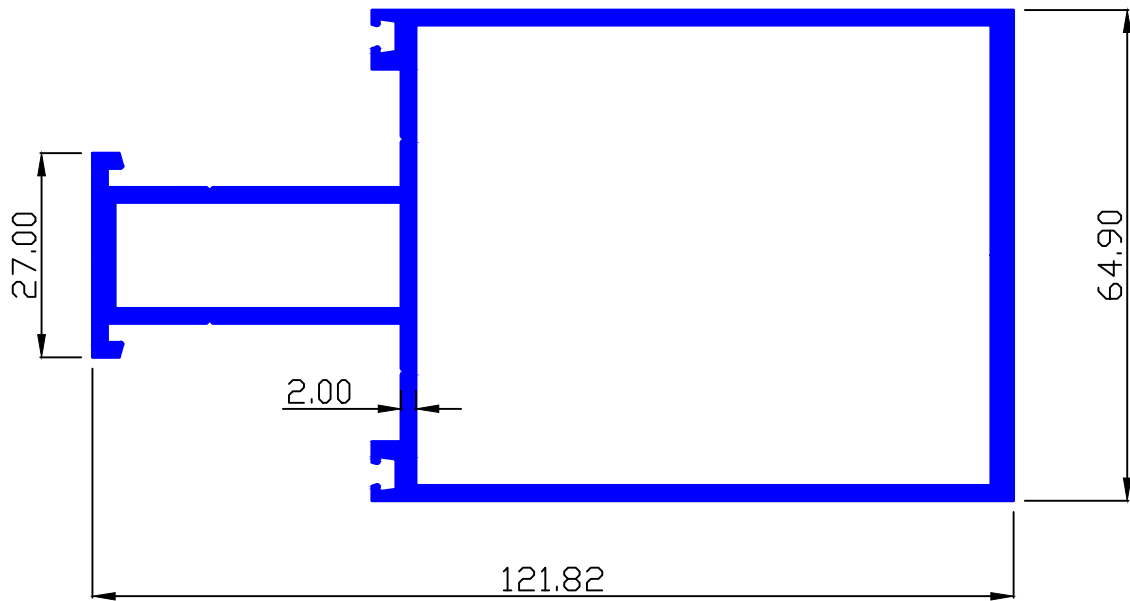




CURTAIN WALL

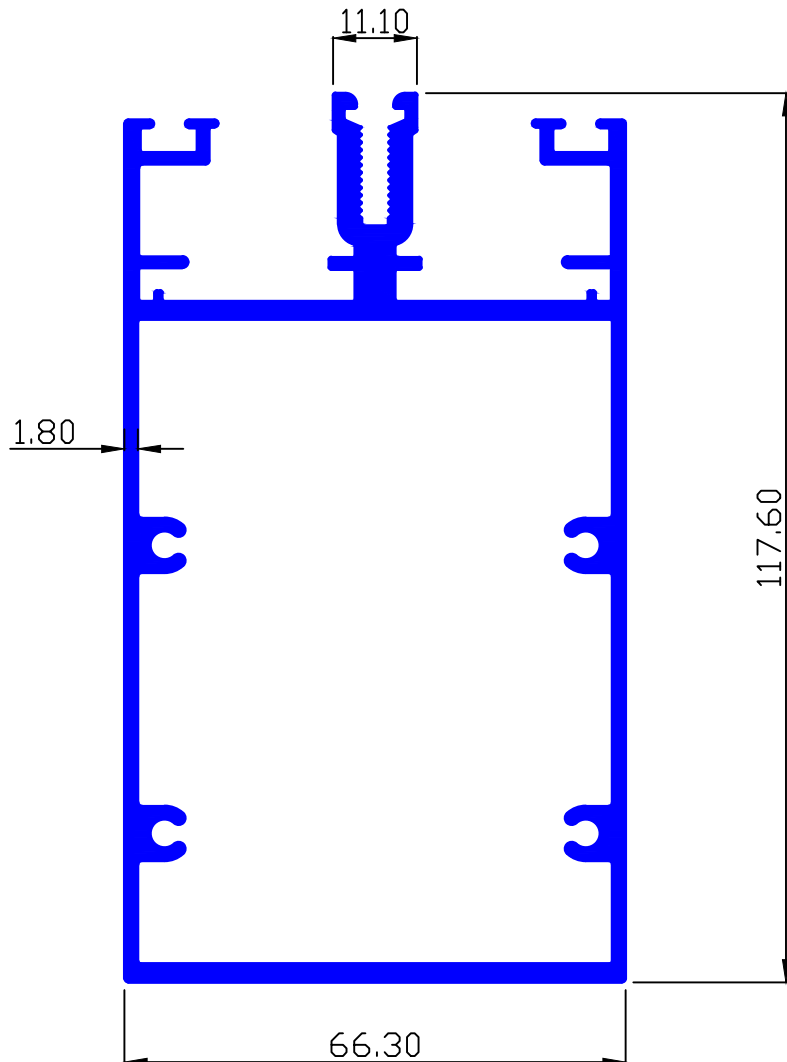
MAAN SEC.-89151

2.457 Kg/Mtr.



MAAN SEC.-89163

2.930 Kg/Mtr.



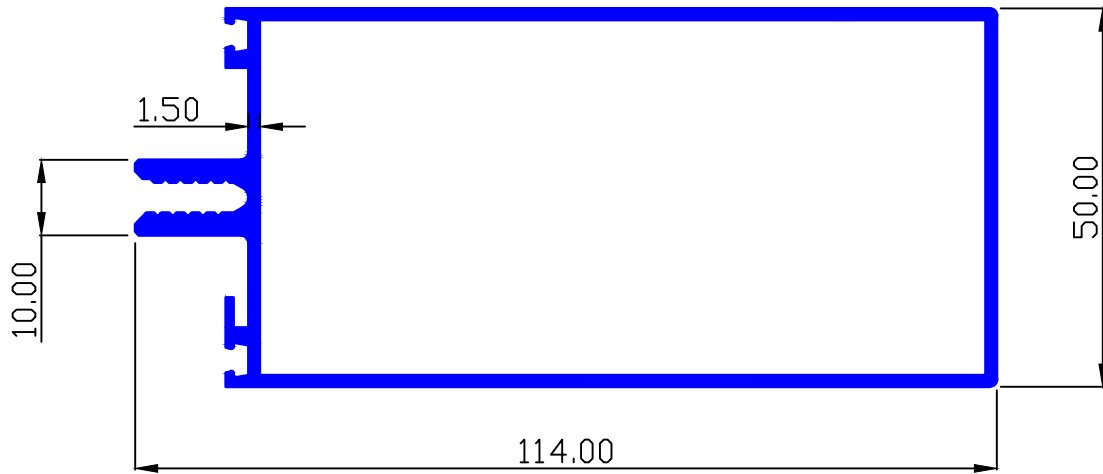




CURTAIN WALL

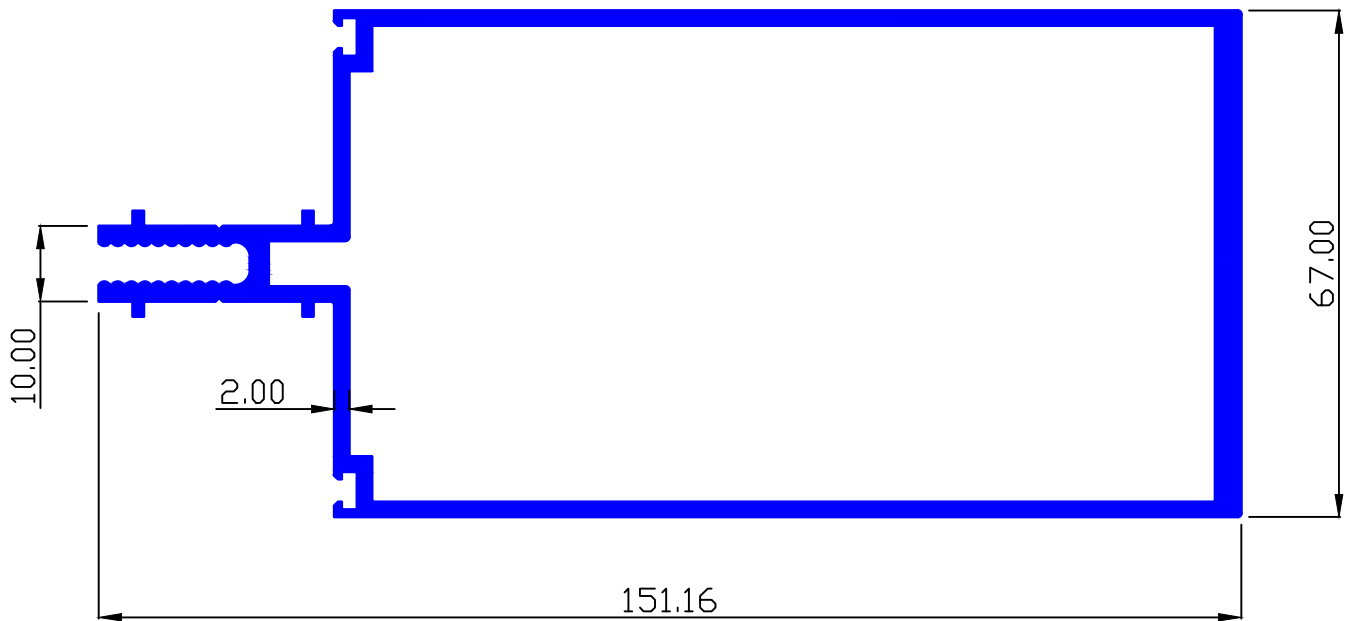
MAAN SEC.-89188

1.495 Kg/Mtr.



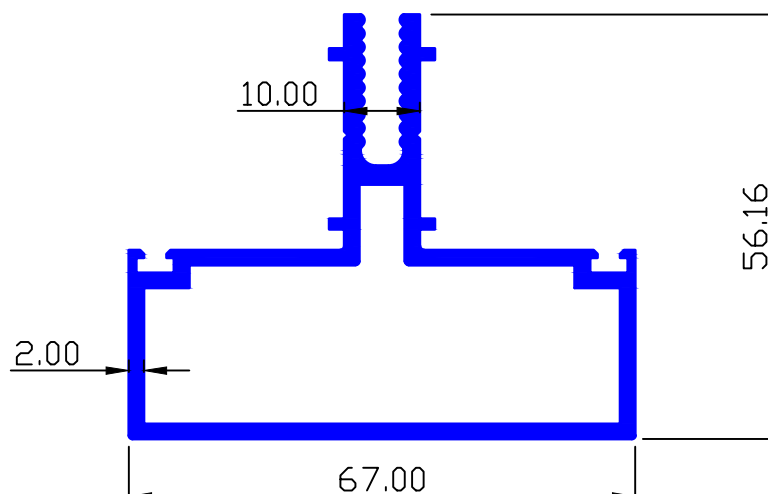
MAAN SEC.-89304

2.685 Kg/Mtr.



MAAN SEC.-89305

1.405 Kg/Mtr.

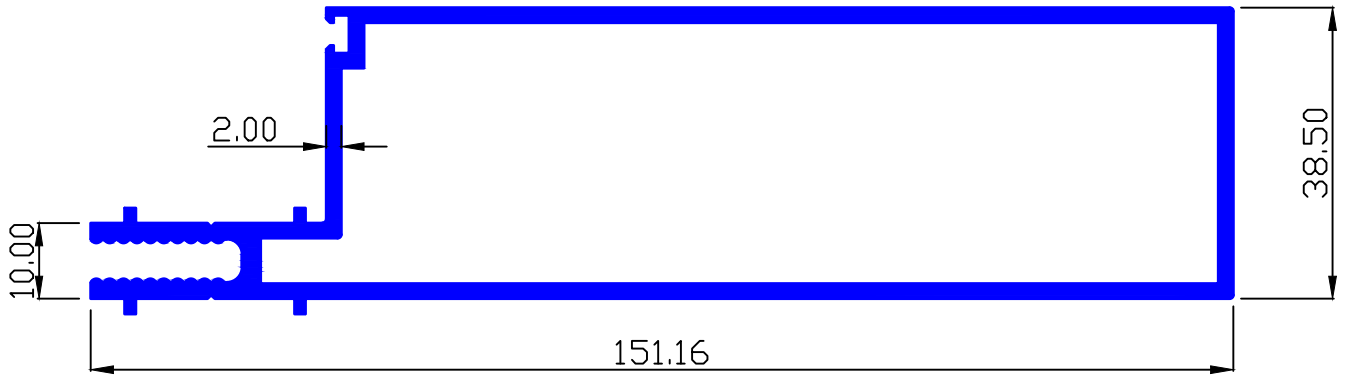




CURTAIN WALL

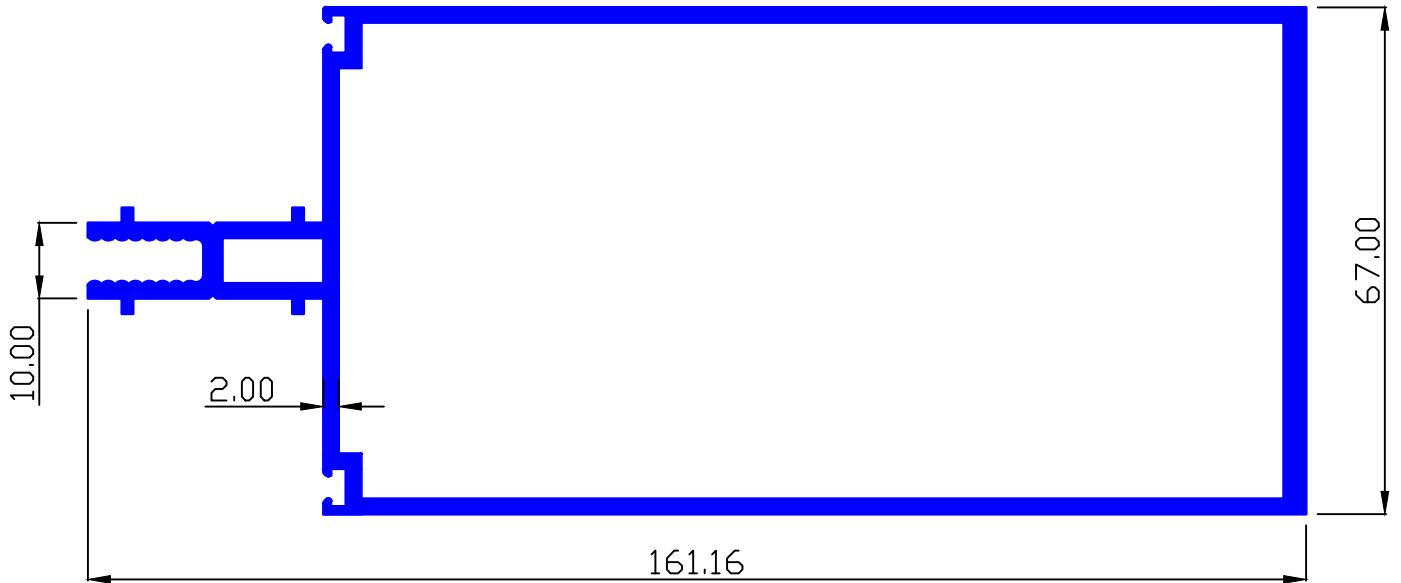
MAAN SEC.-89306

2.110 Kg/Mtr.



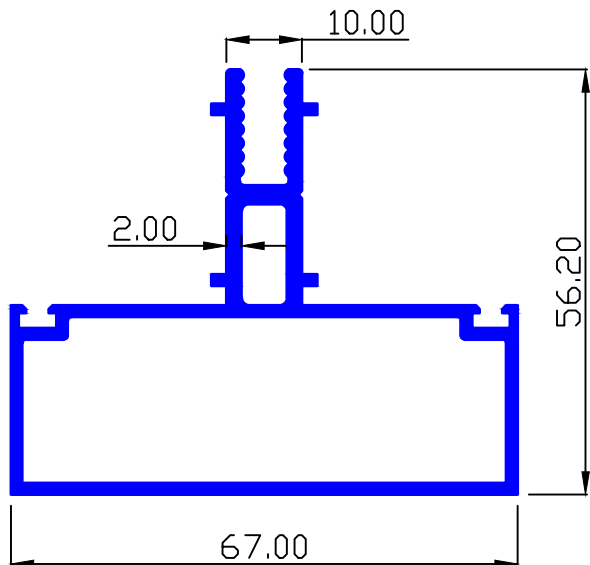
MAAN SEC.-89321

2.704 Kg/Mtr.



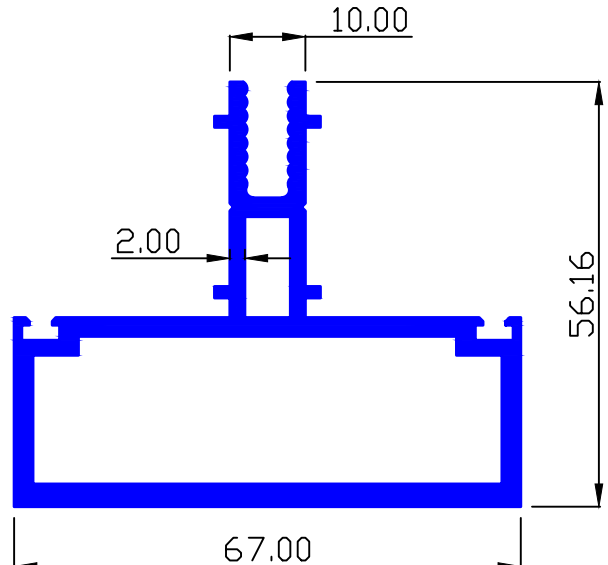
MAAN SEC.-89319

1.689 Kg/Mtr.



MAAN SEC.-89320

1.165 Kg/Mtr.

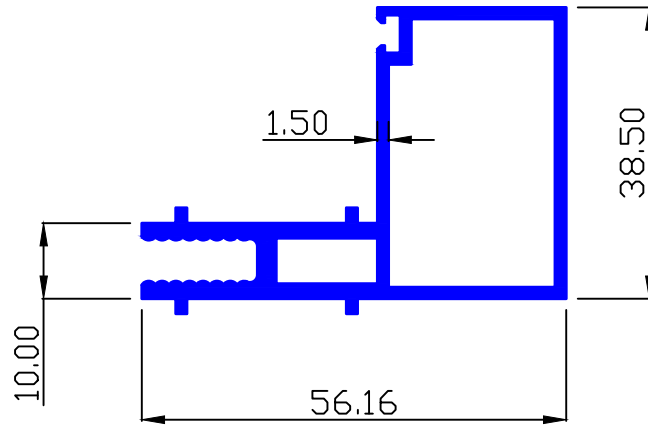




CURTAIN WALL

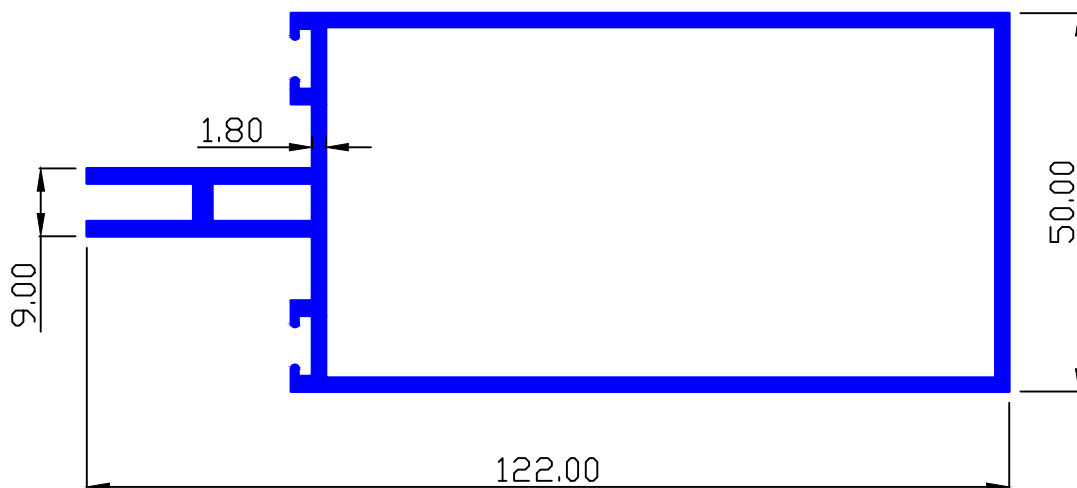
MAAN SEC.-89323

0.925 Kg/Mtr.



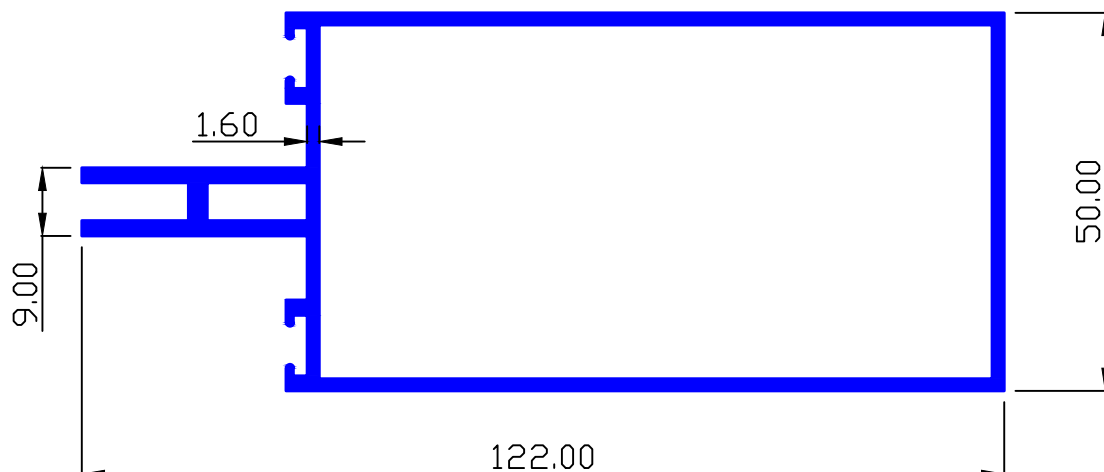
MAAN SEC.-89474

1.778 Kg/Mtr.



MAAN SEC.-89475

1.632 Kg/Mtr.

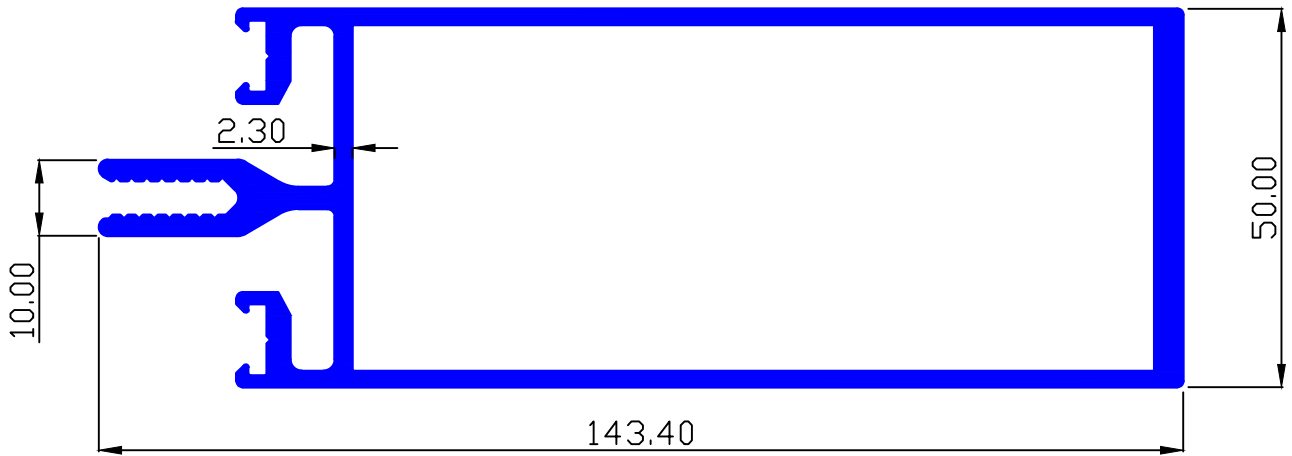




CURTAIN WALL

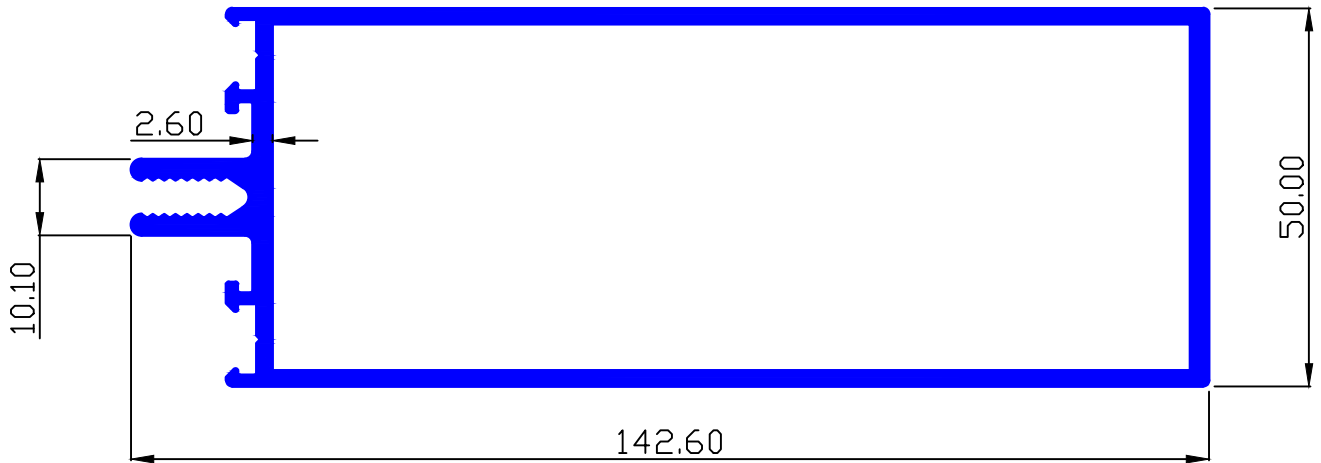
MAAN SEC.-89490

2.808 Kg/Mtr.



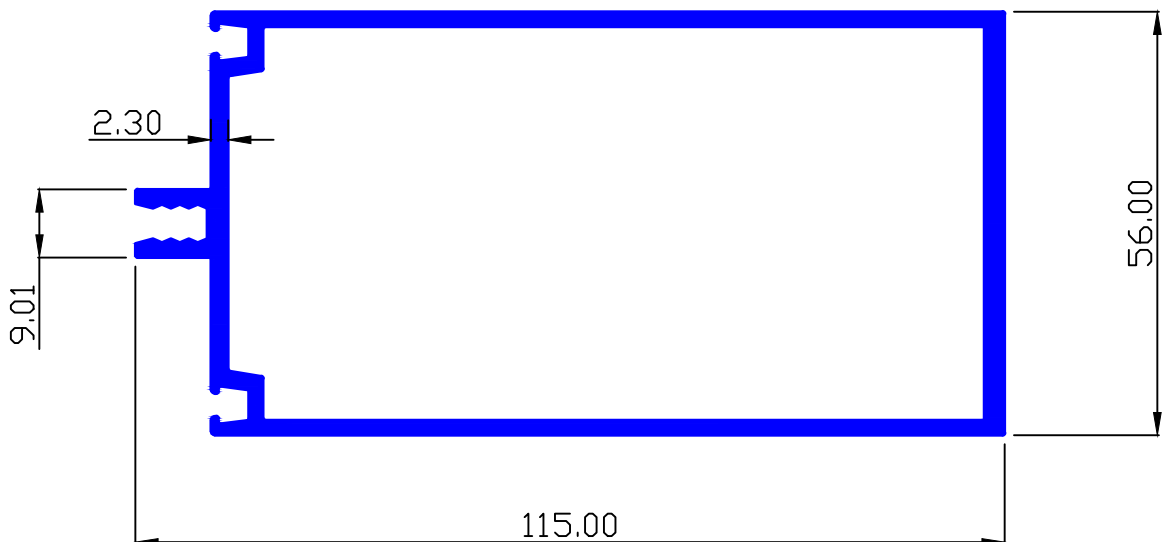
MAAN SEC.-89491

2.357 Kg/Mtr.



MAAN SEC.-89644

2.00 Kg/Mtr.

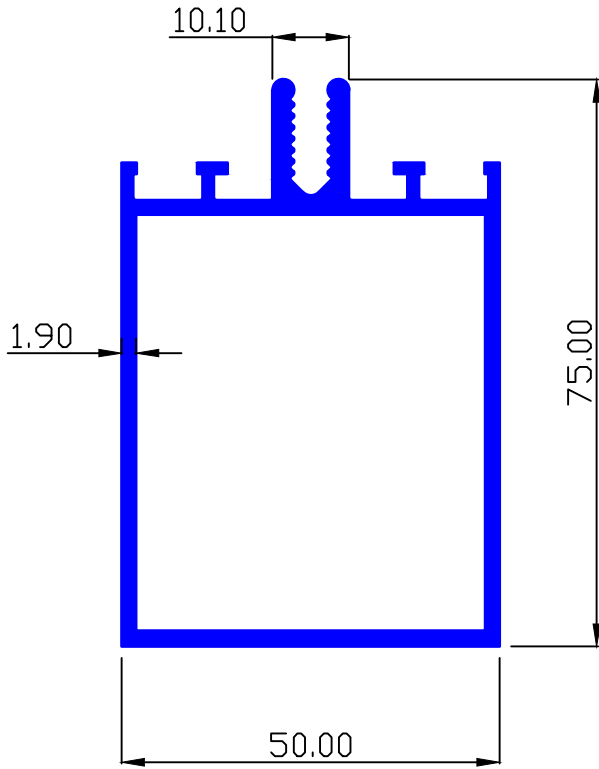




CURTAIN WALL

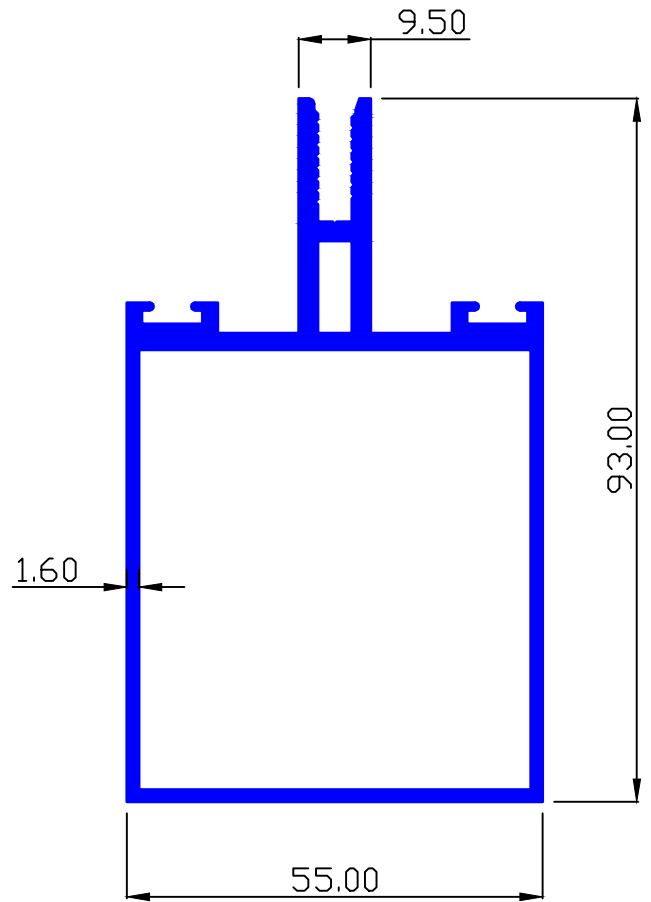
MAAN SEC.-89492

2.357 Kg/Mtr.



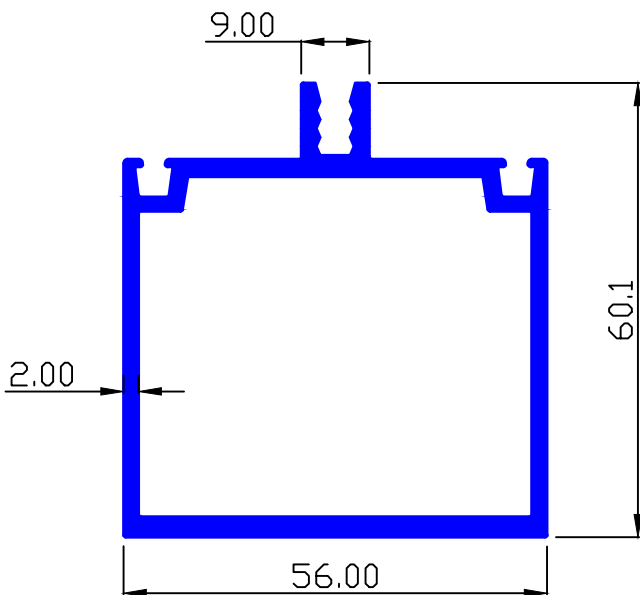
MAAN SEC.-89497

1.658 Kg/Mtr.



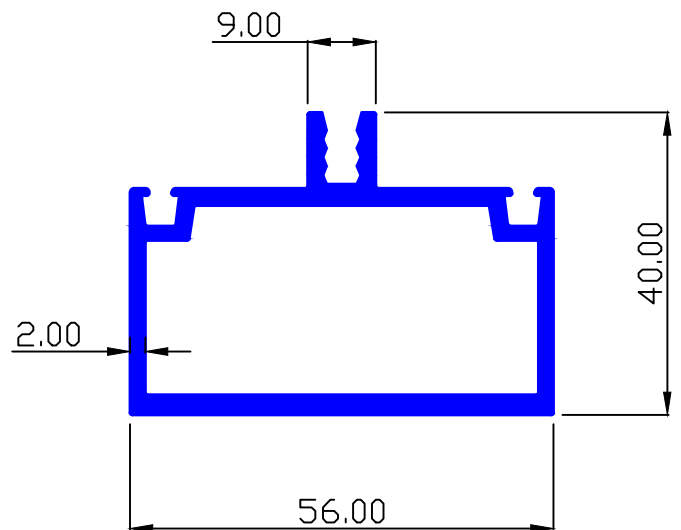
MAAN SEC.-89642

1.408 Kg/Mtr.



MAAN SEC.-89643

1.192 Kg/Mtr.





CURTAIN WALL

MAAN SEC.-89645

2.256 Kg/Mtr.

